

AP-VAC300 Touch Screen Video Door Phone



AP-VAC300 enterprise SIP video door phone is a visitor access control unit through video screen using internet. It uses the SIP standard video signal process feature, providing an excellent scalability by interworking with IP video phone, and soft video phone. It also supports the latest audio/voice codec at the optimum level. AP-VAC300 provides enterprise SIP video based visitor access control solution. For various application and flexible service, this product use 7inch TFT-LCD with touch screen feature. AP-VAC300 SIP video door phone is a device to open and close the door after verifying the identity of visitor. It is embedded with alarm, relay output port, and RS485 interface function to control the door remotely by interworking with automatic door. Also, it offers RF card for easier access of employees. AP-VAC300 supports both SIP video door phone management service and SIP based video door phone service. SIP based video door phone management function provides

user management function, group management function, setup management function, RF card register and manages, and access log function. AP-VAC300 SIP video door phone is combination of SIP VoIP signaling technology/video processing technology. AP-VAC300 provides 64Kbps level of network so that user may use anywhere with internet connection. Especially, it applies high end "Error Resilience" technology to cope with various packet errors to secure optimum level of voice quality in limited bandwidth environments. It also supports G.722 wide band codec along with G.711, G.726 voice band codec. And, for enhanced voice quality, AP-VAC300 supports full duplex voice communication scheme and acoustic echo canceller. AP-VAC300 is a new IP video door phone for enterprise, factory, etc where Internet voice communications are combined with Internet video monitoring. This product provides advanced features and services such as video codecs (e.g. H.263, MPEG-4, and H.264), QoS, and public IP sharing as well as multiple VoIP signaling protocols such as SIP and H.323. Also, this product supports USB based wifi LAN interface besides one(1) fast ethernet port. Using this dual LAN interface, AP-VAC300 can support wire network environment as well as wireless network environment. AP-VAC300ZW IP video door phone supports the Z-Wave Sensor Interface for various Z-Wave based sensor device direct supporting like as motion sensor, light switch sensor, door open/close sensor, etc. This wireless Z-Wave sensor interface feature besides legacy wired based alarm signal will very helpful for various applications at door side. And the Z-Wave Interface of AP-VAC300 is compatible with Z-Wave base smart sensors from various manufactures, AP-VAC300ZW can easily add new smart sensor devices in your smart sensor network like as at various enterprise environment application. AP-VAC300 RISC CPU and DSP are all programmable structure so that user may use the latest features without much effort by simply setting an auto upgrade option or download from the homepage. AP-VAC300 is embedded with Smart Web Manager for easy control of SIP video door phone. User may setup/manage IP video door phone through PC, smart phone, and tablet device. AddPac VoIP and Multimedia products are well recognized in terms of performance and stability throughout the world. With our accumulated experience in enterprise market and communication market, AP-VAC300 will satisfy the needs of customer along with AddPac IP video door access solution.

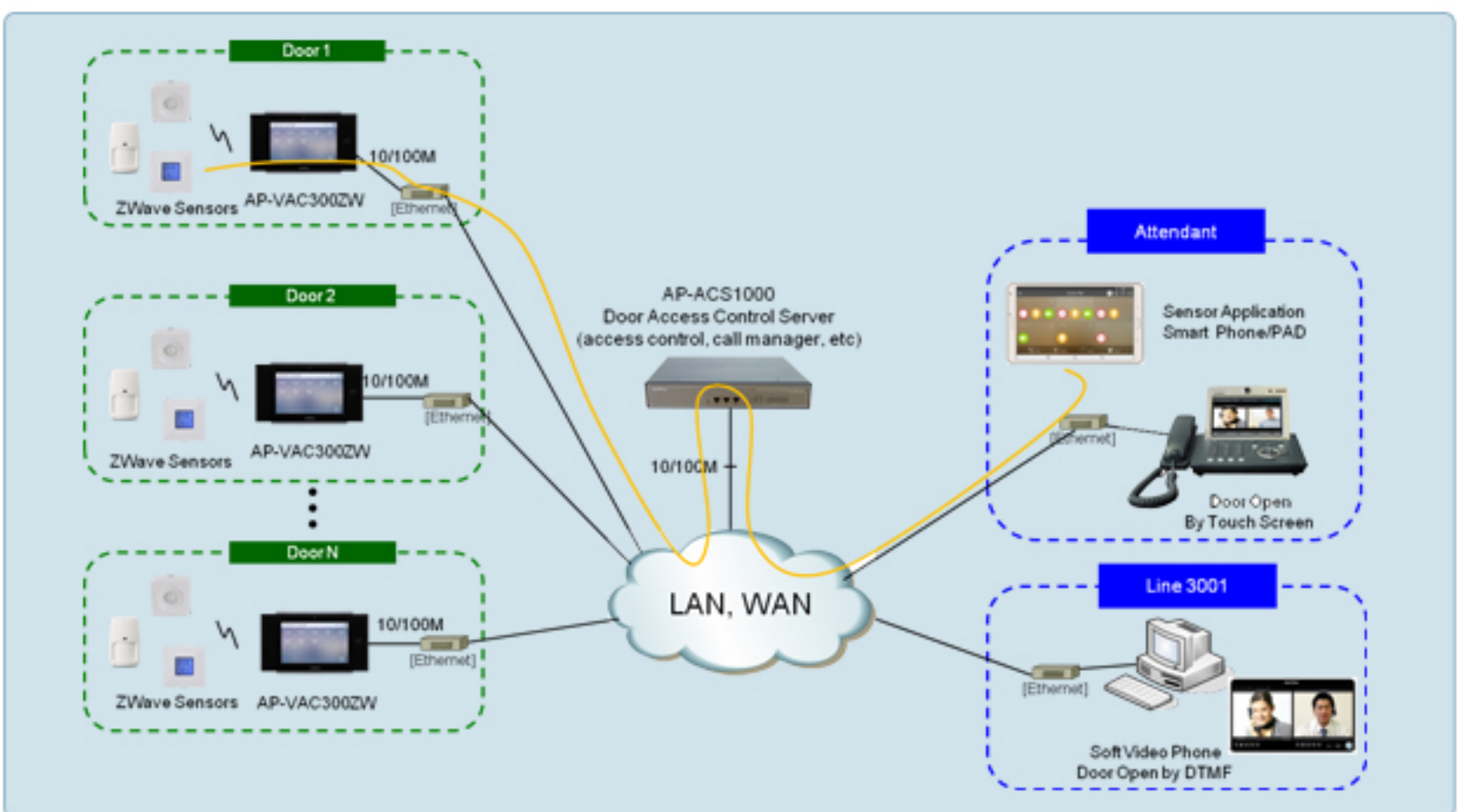
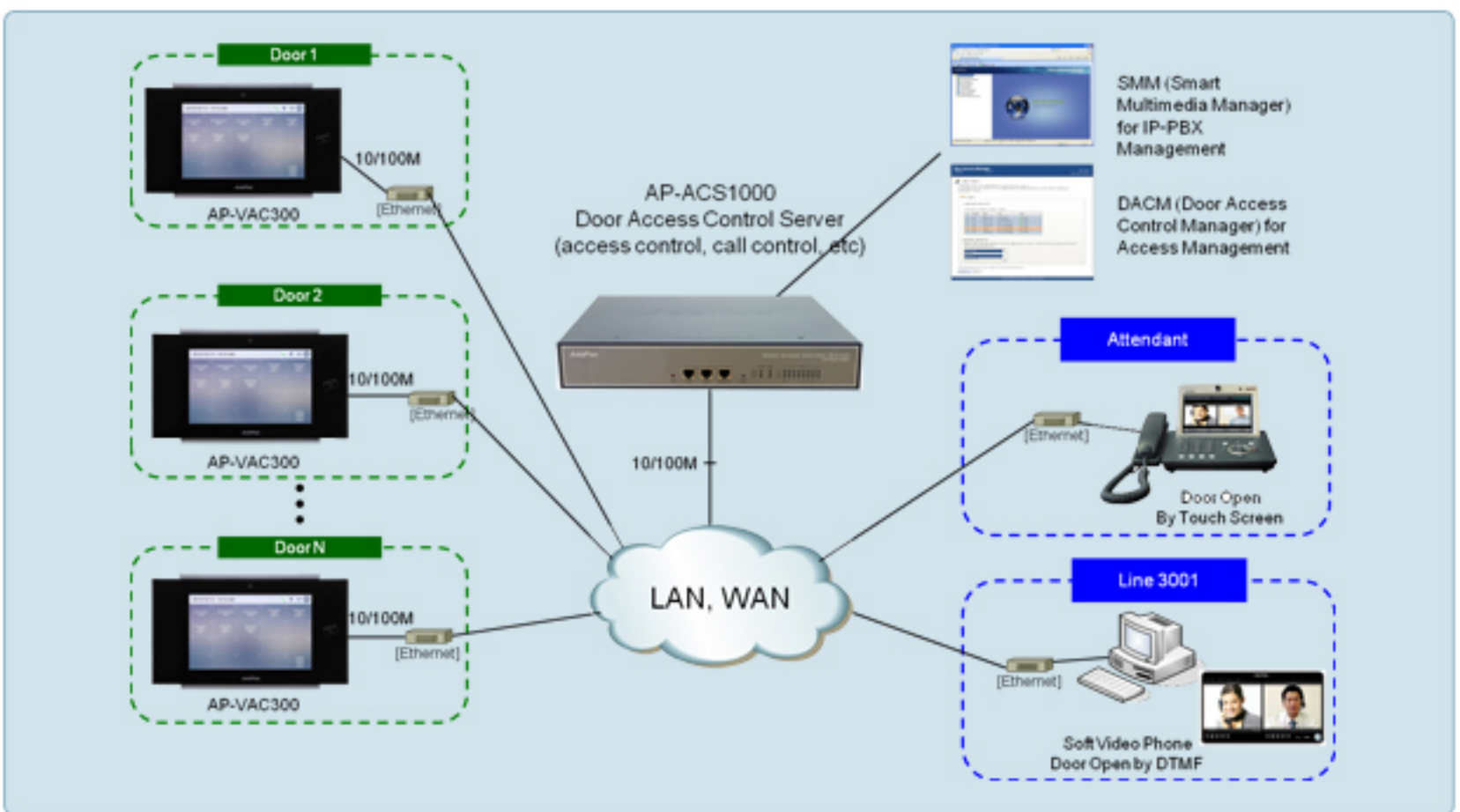
Major Feature

Overall Features

- High Performance IP Video Door Phone Solution
- Video Camera, Touch Screen TFT Color LCD, Internal MIC & Speaker
- RF Card Support
- High Quality 7 Inch LCD, 800 x 480 Video Resolution
- SIP VoIP Signaling Stack Embedded
- High-performance Video/Voice Codec Support
- – H.264/MPEG4/H.263, G.711, etc
- One(1) 10/100Mbps Fast Ethernet
- USB Interface for External WiFi USB Module
- Zwave Sensor Hub Interface (Model : AP-VAC300Z)
- PoE(Power over Ethernet) Support
- High Quality Speaker Phone Features
- Powerful Acoustic Echo Canceller Chip Embedded
- Powerful Network Protocols (PPPoE, DHCP, Static Routing, etc)
- Firmware Upgradeable Architecture
- Advanced Voice QoS Mechanism
- One(1) 10/100Mbps Fast Ethernet
- USB Interface for External WiFi USB Module
- Zwave Sensor Hub Interface (Model : AP-VAC300Z)



Network Diagram



AddPac Technology Co.,Ltd.

AddPac Texhnology (Korea-Head Office)
 Phone +8225683848
 Email sales@addpac.com